

A Turing Machine for determining whether a string is a *palindrome*
 PALINDROME is defined on page 13 of Cohen: PALINDROME = Λ , and all strings x such that $reverse(x) = x$.

ODDPALINDROME is a subset of the language PALINDROME and is defined to be only words which belong to PALINDROME and which are of ODD length.

A TM that accepts this language is illustrated in Figure 1. In this case, $\Sigma = \{a, b\}$.

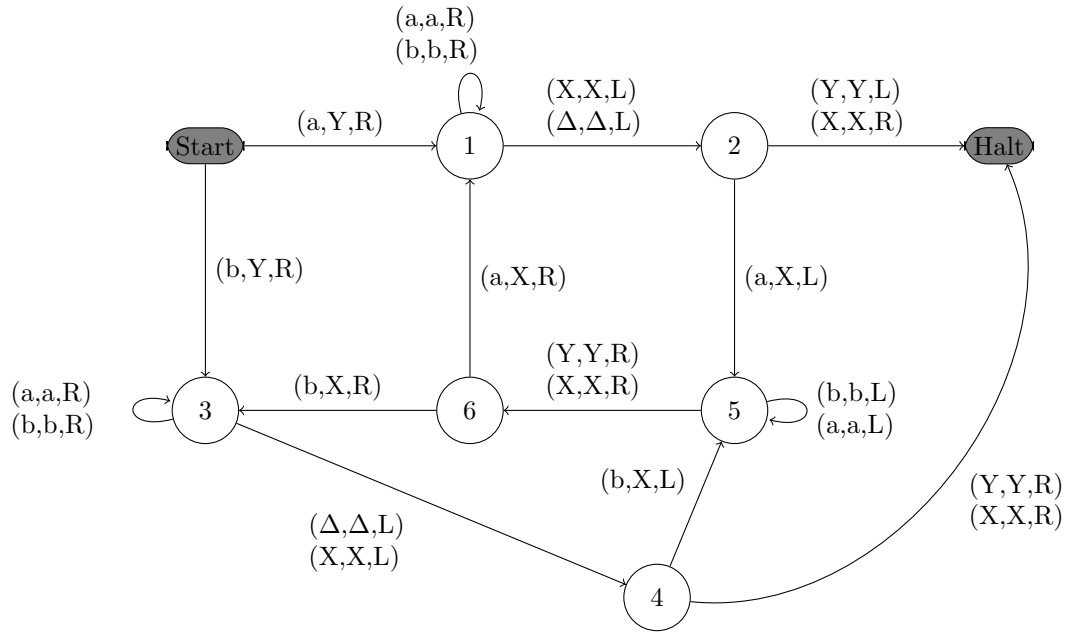


Figure 1: A Turing Machine to test for palindromes